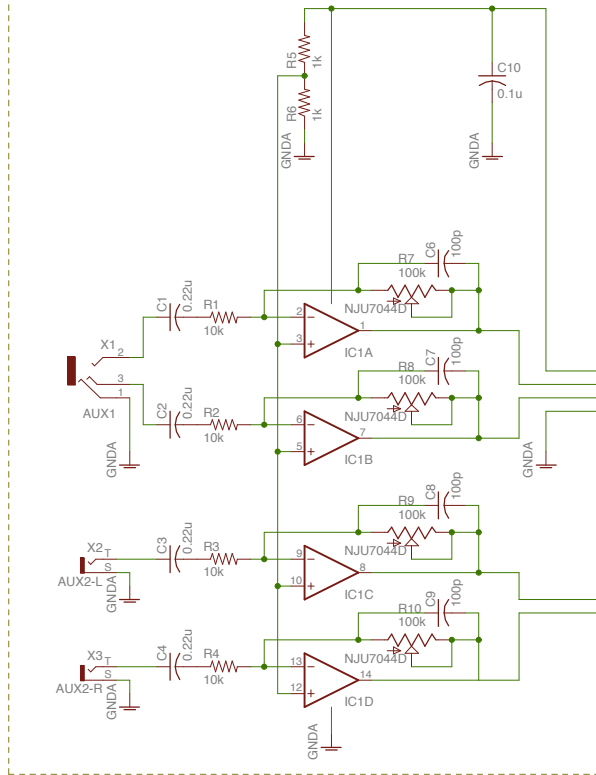
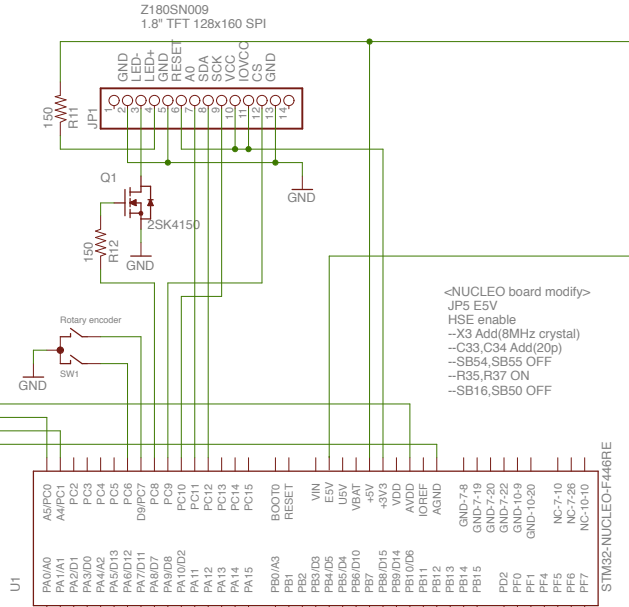


Analog In (preamplifier)

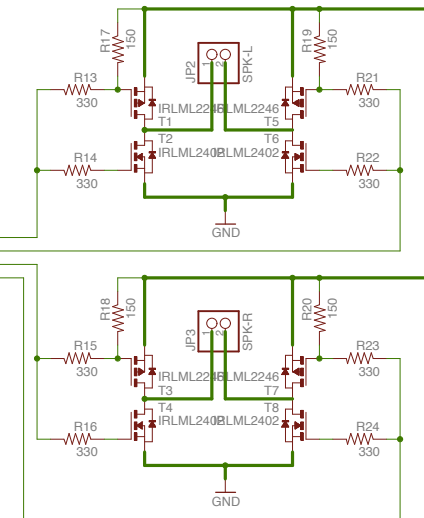


Display & Switch

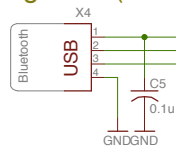


<NUCLEO board modify>
 JP5 E5V
 HSE enable
 -X3 Add(8MHz crystal)
 -C33,C34 Add(20p)
 -SB54,SB55 OFF
 -R35,R37 ON
 -SB16,SB50 OFF

Speaker driver



Digital In (bluetooth)



3+3W Class full digital amplifier	Audio Amplifier Mini
AUX x 2 + Bluetooth	U0_2b
(c)2017-2019 Toyohiko Togashi	2019/02/23 16:22
	Sheet: 1/1